

Barudan

COMPUTER MONOGRAM MACHINE

MODEL **BEAT 802**
(U.S.A)

PARTS LIST

BARUDAN CO., LTD.

ADDRESS 20-TSUKAGOSHI, JOSUIJI
ICHINOMIYA-CITY·AICHI-PREF·
JAPAN

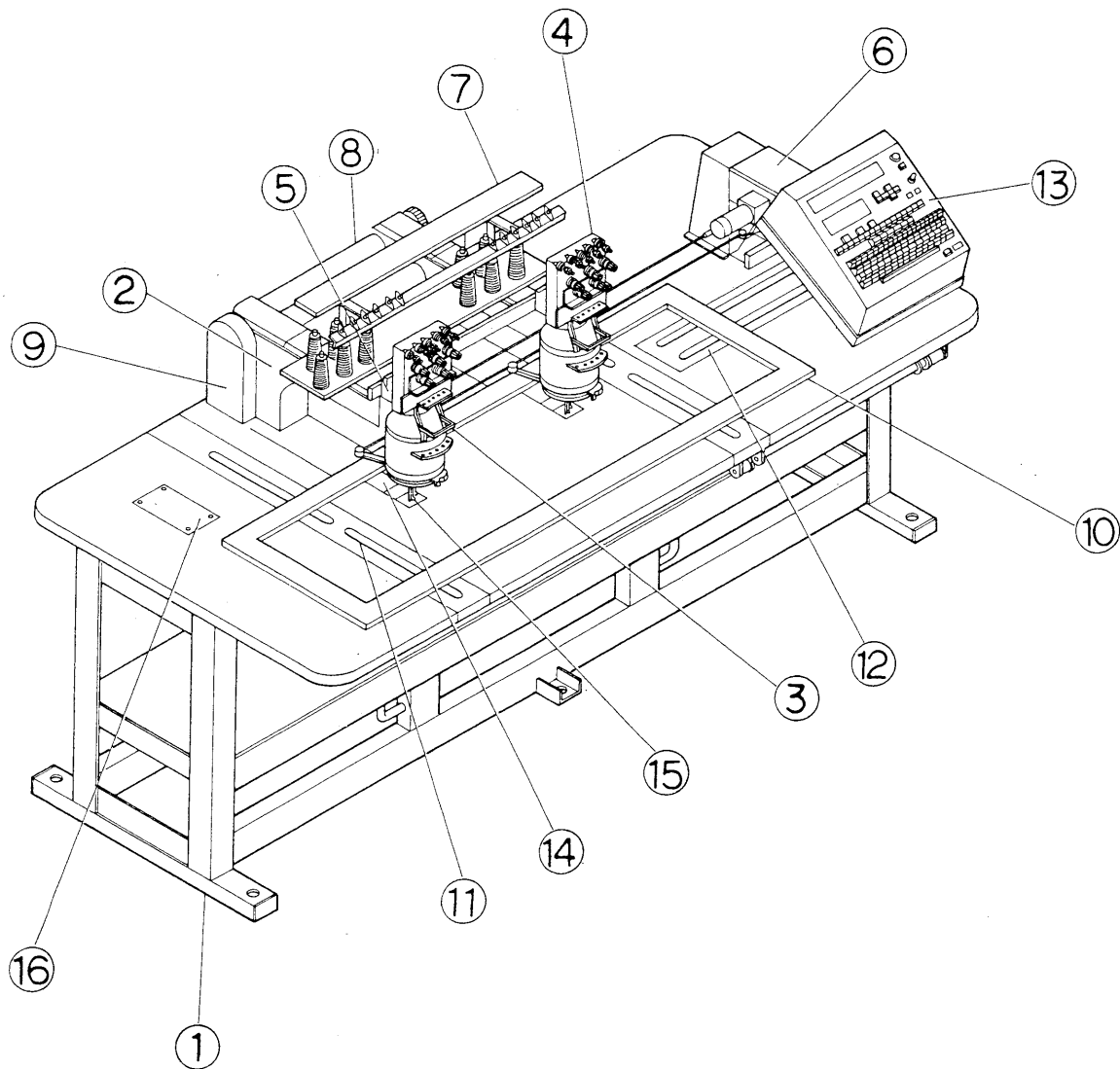
TEL. <0586>77-0404
TELEX 4573268 BARUNA J
CABLE BARUNA ICHINOMIYA

BEAT-802 (U. S. A) PARTS LIST

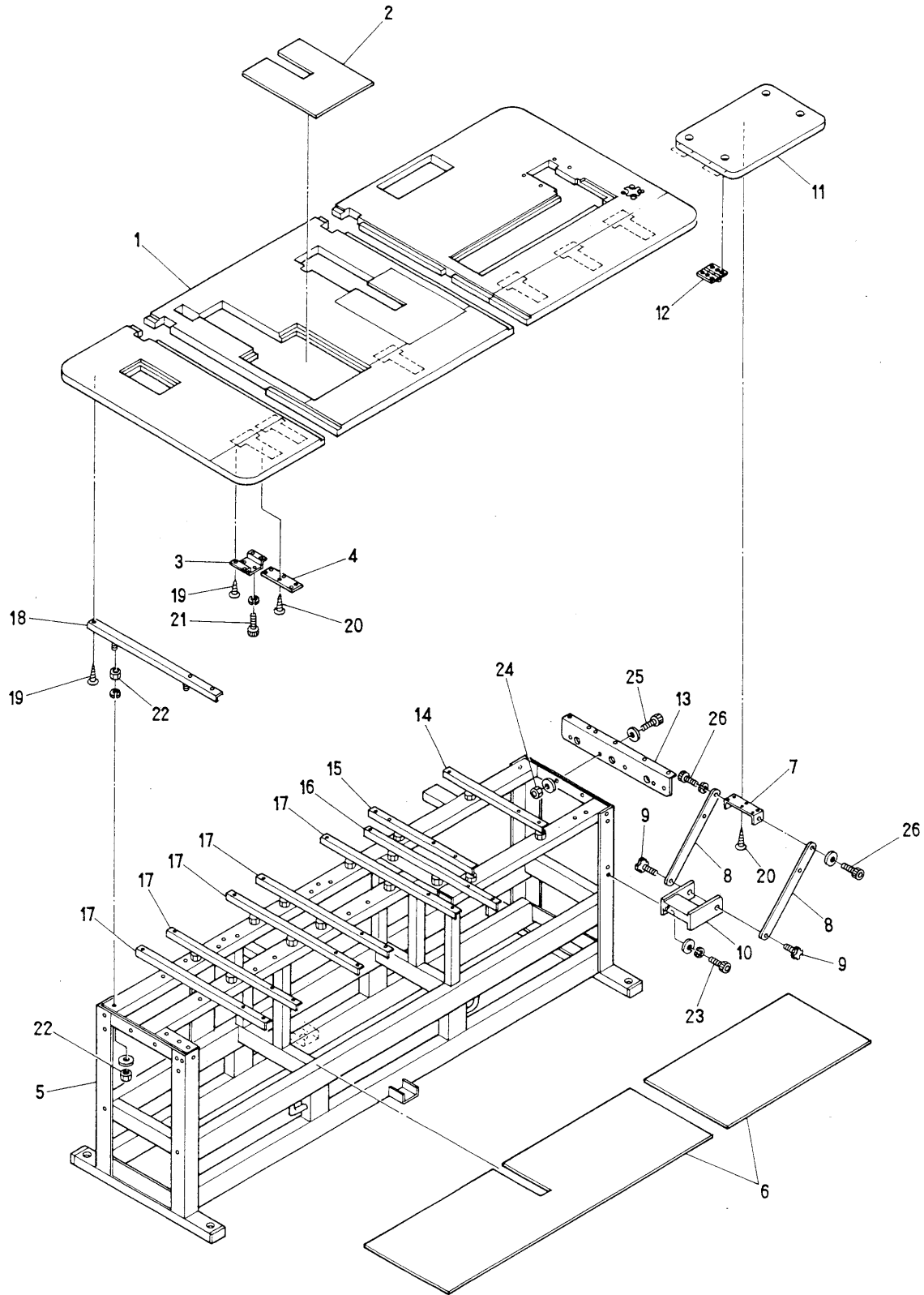
INDEX

ITEM No.	Page No.
Machine layout	1
①Fram and Table assy	2
②Sewing head	4
③Needle bar ▪ Take up lever mechanism	6
④Thread guide mechanism	8
⑤Jamp mechanism	10
⑥Color change mechanism	12
⑦Option	14
⑧Conecting mechanism	16
⑨Drive mechanism	18
⑩Pantograph drive mechanism I	20
⑪Pantograph drive mechanism (H) II	22
⑫Pantograph drive mechanism (V) III	24
⑬Contorol system	26
⑭Thread cutting mechanism I	28
⑮Thread cutting mechanism II	30
⑯Thread cutting mechanism III	32

Machine layout (PROFIT-802)

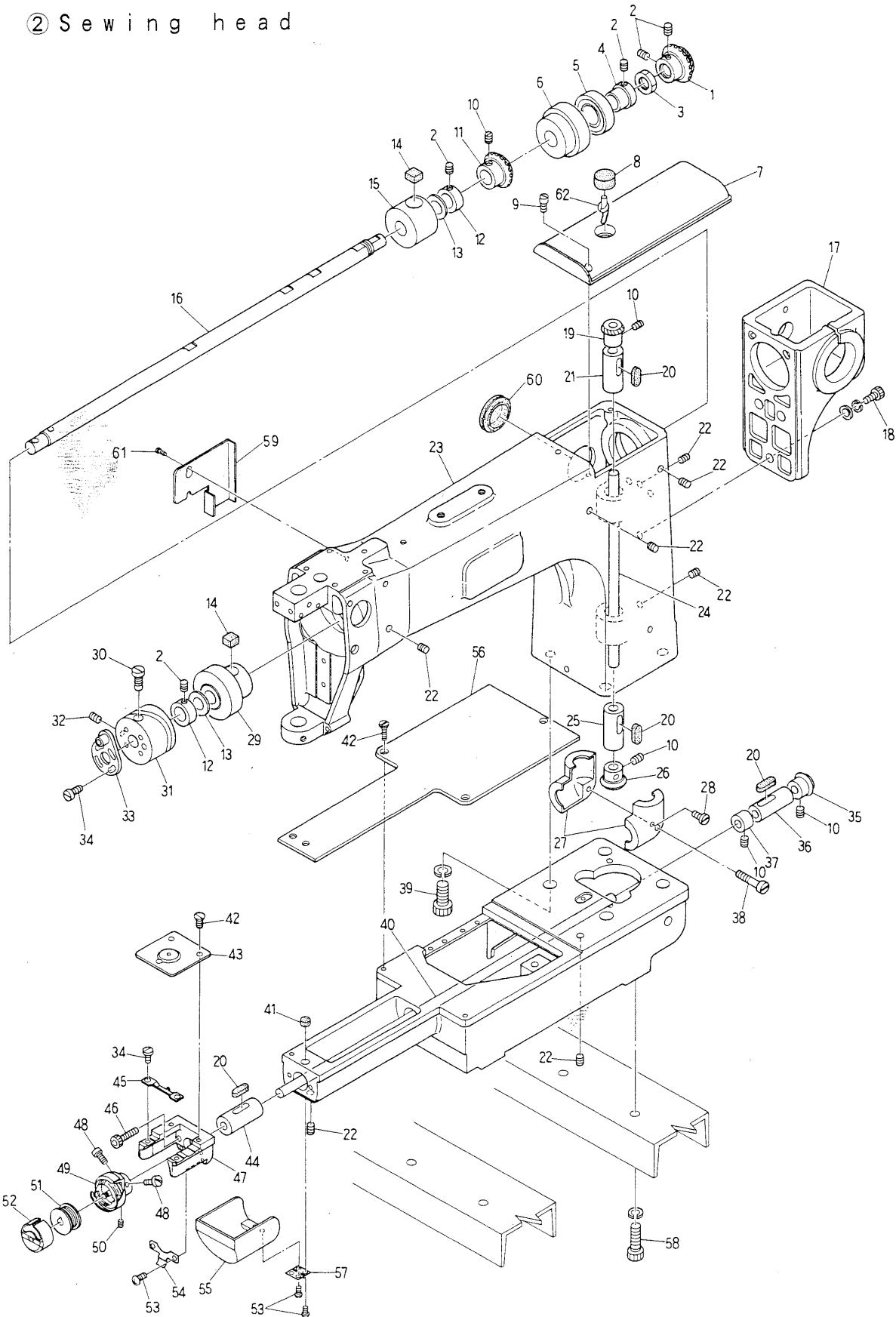


① Frame and Table assy



From the library of: Diamond Needle Corp.

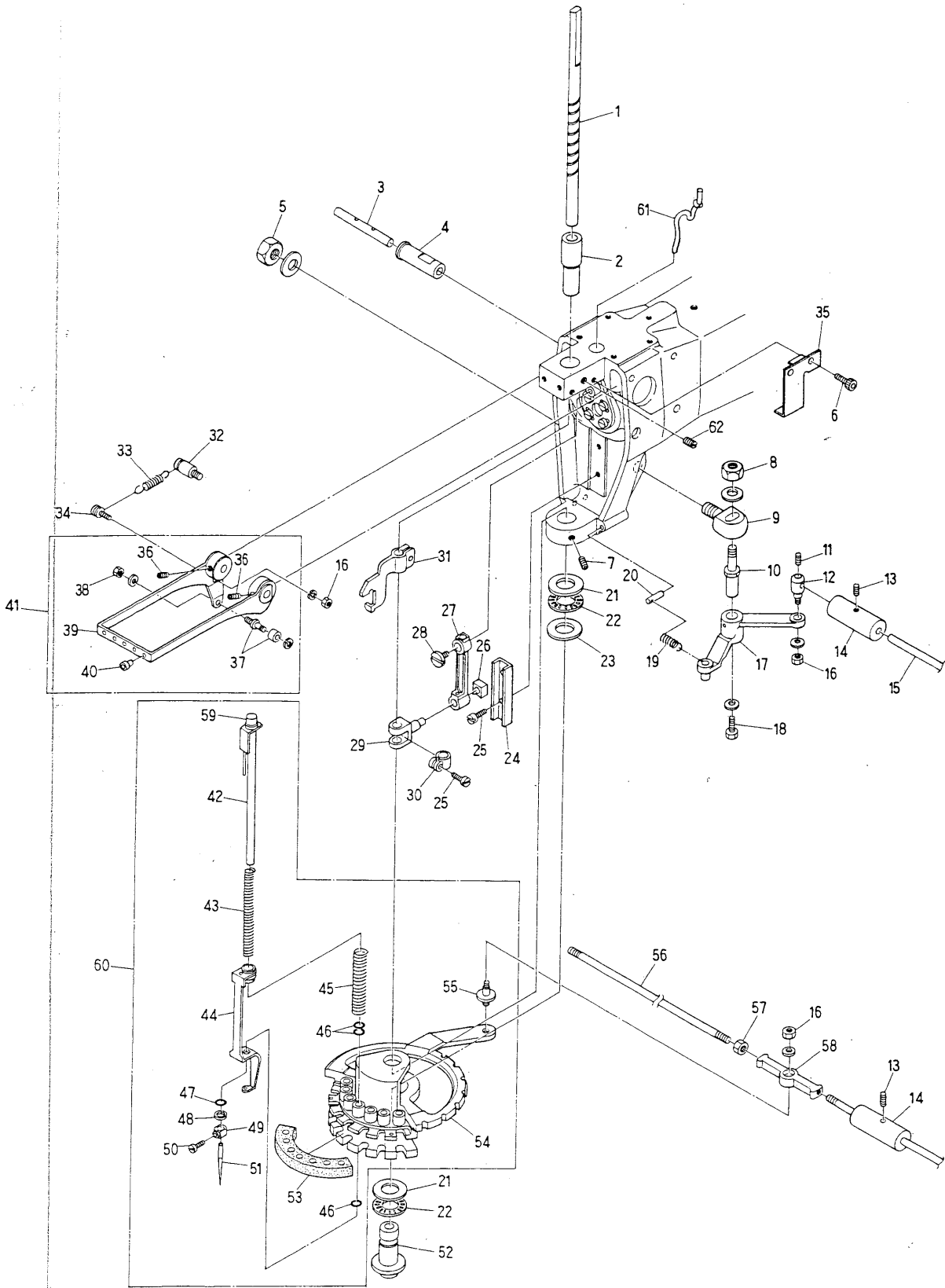
② Sewing head



② Sewing head

ITEM	PART No	LIST No	DESCRIPTION	QTY	REMARK
1	2210L00	KL 2 2 0 1 0 0	Top shaft gear	1	
2			Hex. socket set screw M6×6		
3	2211L00	KL 2 2 0 1 1 0	Top shaft adjust nut M14	1	
4	2209L00	KL 2 2 0 0 9 0	Top shaft bearing collar (Rear)	1	
5	91017	A 9 0 1 0 0 1 7	Bearing (6004ZZ)	1	
6	2204L00	KL 2 2 0 0 4 0	Top shaft bearing case	1	
7	2504L00	KL 2 5 0 0 4 0	Arm top cover	1	
8	2215L00	KL 2 2 0 1 5 0	Oil felt D	1	
9			Screw M4X10		
10			Screw (SM1/4 40×4)		
11	2213F	KF 2 2 0 1 3 0	Bevel gear (Top shaft)	1	
12	2208L00	KL 2 2 0 0 8 0	Top shaft collar	2	
13	23D9P00	HP 2 3 1 3 9 0	Thrust washer	2	
14	2213L00	KL 2 2 0 1 3 0	Oil felt B	2	
15	2203L00	KL 2 2 0 0 3 0	Top shaft metal (Middle)	1	
16	2200L00	KL 2 2 0 0 0 0	Top shaft	1	
17	2114L00	KL 2 1 0 1 4 0	Arm gear case	1	
18			Hex. socket bolt M6×25		
19	2246F	KF 2 2 0 4 6 0	Bevel gear (Vertical shaft upper)	1	
20	2214L00	KL 2 2 0 1 4 0	Oil felt C	4	
21	2205L00	KL 2 2 0 0 5 0	Vertical shaft metal (upper)	1	
22			Hex. socket set screw M6×8		
23	2100L00.	KL 2 1 0 0 0 0	SRE Assy Head 7		
	2101L00	KL 2 1 0 0 1 0	SRE Assy Head 5		
	2100L0T	KL 2 1 0 0 0 T	SRE Assy Head 7 (with thread cutter)		
	2101L0T	KL 2 1 0 0 1 T	SRE Assy Head 5 (with thread cutter)		
24	2201L00	KL 2 2 0 0 1 0	Vertical shaft	1	
25	2206L00	KL 2 2 0 0 6 0	Vertical shaft metal (Lower)	1	
26	2247F	KF 2 2 0 4 7 0	Bevel gear (Vertical shaft (Lower))	1	
27	2227F	KF 2 2 0 2 7 0	Gear cover set	1	
28			Screw (SM15/64 28×24)		
29	2202L00	KL 2 2 0 0 2 0	Top shaft metal (Front)	1	
30	2342F	KF 2 3 0 4 2 0	Cam set screw	1	
31	2341N00	KN 2 3 0 4 1 0	Take up lever cam G	1	
32			Screw (SM15/64 28×10)		
33	2343N00	KN 2 3 0 4 3 0	90° Clamping	1	
34	91207	A 9 0 1 2 0 0 7	Screw	6	
35	2248F	KF 2 2 0 4 8 0	Bevel gear (Bottom shaft)	1	
36	2207L00	KL 2 2 0 0 7 0	Bottom shaft metal (Rear)	1	
37	2229F	KF 2 2 0 2 9 0	Bottom shaft collar	1	
38			Screw (SM9/32 20×38)		
39			Hex. socket bolt M12×35		
40	2221C	KC 2 2 0 2 1 0	Bottom shaft	1	
41	2212L00	KL 2 2 0 1 2 0	Oil felt A	1	
42	2590F	KF 2 5 0 9 0 0	Needle plate set screw (SM11/64 40×7)	2	

③ Needle bar ▪ Take up lever mechanism

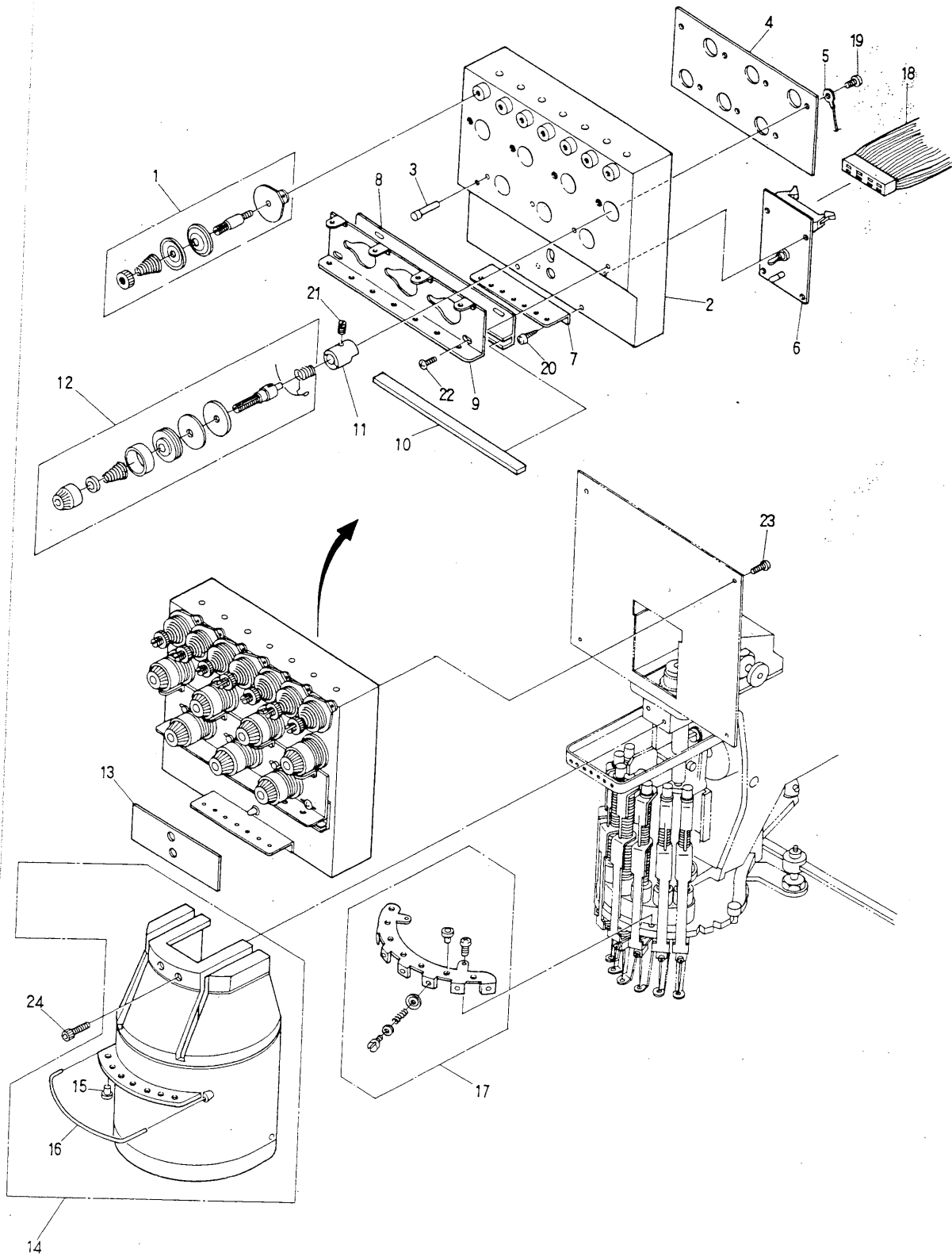


③ Needle bar ▪ Take up lever mechanism

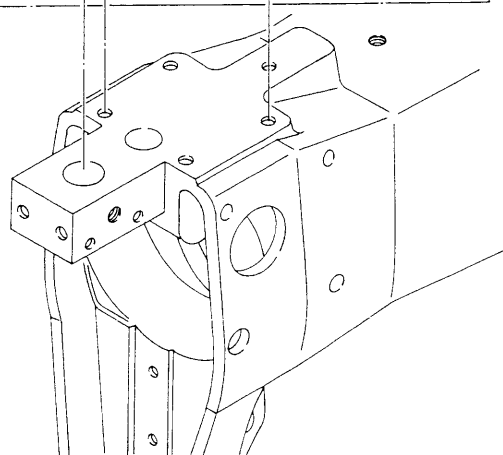
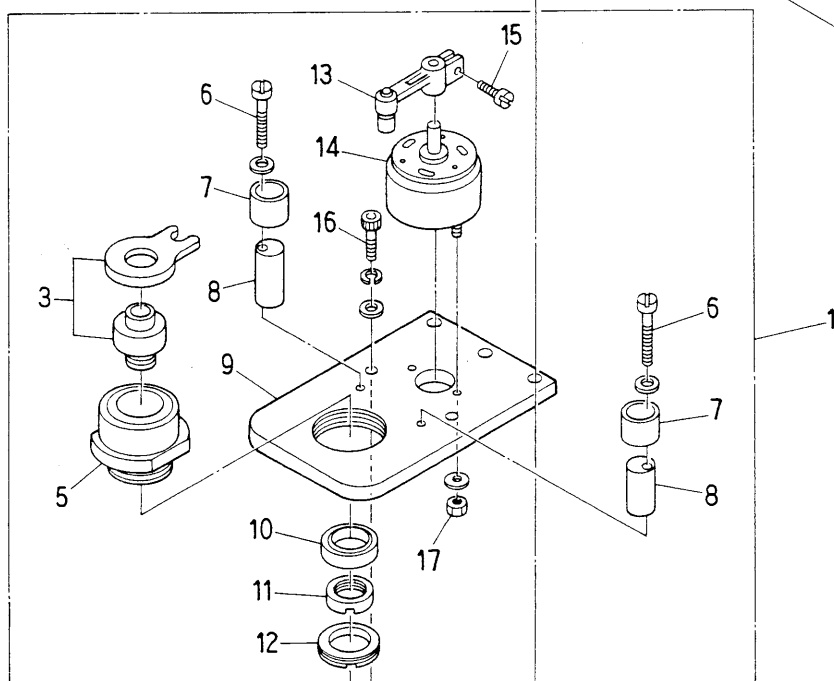
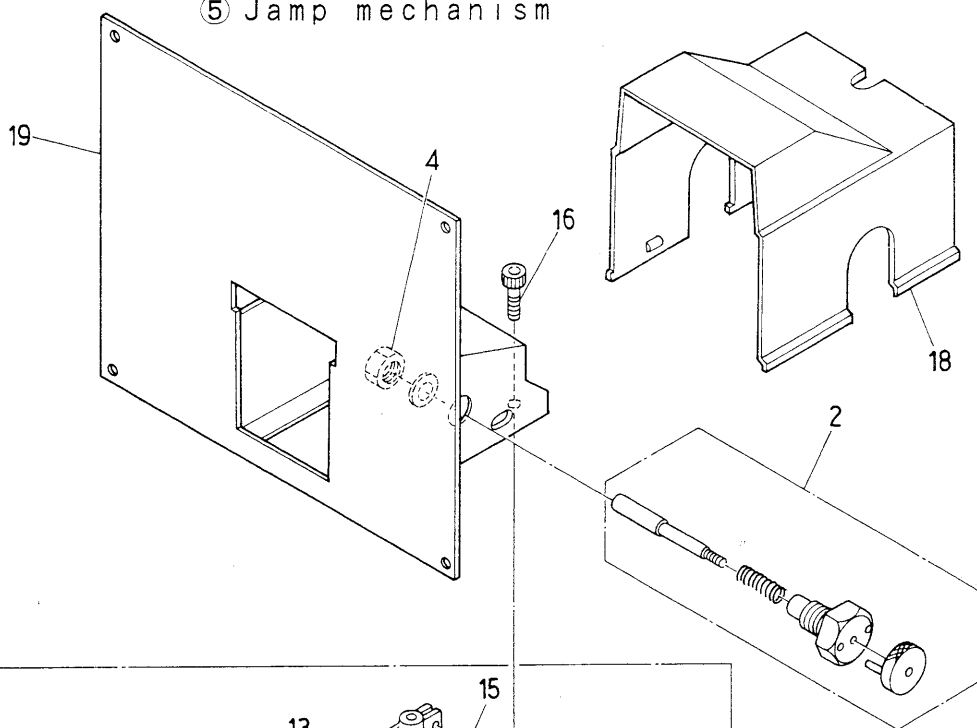
(N=needle Q'ty)

ITEM	PART No	LIST No	DESCRIPTION	Q'TY	REMARK
1	2300L00	KL 2 3 0 0 0 0	Driving shaft	1	
2	2332F	KF 2 3 0 3 2 0	Driver shaft upper metal	1	
3	2351F02	KF 2 3 0 5 1 2	Take up lever shaft	1	
4	2352F01	KF 2 3 0 5 2 1	Take up lever metal	1	
5			Hex. nut M10		
6			Hex. socket bolt M4 × 8		
7			Hex. socket set screw (steel globe) M6 × 0.75 × 8		
8			Hex. nut M8		
9	2365F	KF 2 3 0 6 5 0	Lock lever bracket	1	
10	2363F	KF 2 3 0 6 3 0	Lock lever shaft	1	
11			Hex. socket set screw M4 × 6		
12	2364F	KF 2 3 0 6 4 0	Lock connection rod clamp	1	
13			Hex. socket set screw M5 × 5		
14	3338F01	KF 3 3 0 3 8 1	Lock bar hand grip	1	
15	3341C	KC 3 3 0 4 1 0	Lock connecting rod (2M)	3	
16			Hex. nut M4		
17	2361G	KG 2 3 0 6 1 0	US Lock lever	1	
18			Hex. bolt M5 × 10		
19	2366F01	KF 2 3 0 6 6 1	Lock lever spring	1	
20	2367F	KF 2 3 0 6 7 0	Lock lever spring pin	1	
21	91123	A 9 0 1 1 0 2 3	Thrust bearing (GS1528)	2	
22	91121	A 9 0 1 1 0 2 1	Thrust bearing (NTB-1528)	2	
23	91122	A 9 0 1 1 0 2 2	Thrust washer (AS-1528)	1	
24	23D1P00	HP 2 3 1 3 1 0	Guide box	1	
25			Screw (SM9/64 40 × 8)		
26	23D7P00	HP 2 3 1 3 7 0	Square ball	1	
27	23D0P01	HP 2 3 1 3 0 1	Clank rod	1	
28	2345F	KF 2 3 0 4 5 0	90° Clank screw fork	1	
29	23C9P00	HP 2 3 1 2 9 0	Needle bar driving	1	
30	2348F	KF 2 3 0 4 8 0	Needle shaft clamp	1	
31	2314L00	KL 2 3 0 1 4 0	Needle bar driver	1	
32	2302L00	KL 2 3 0 0 2 0	Take up lever spring shaft	1	
33	2303L00	KL 2 3 0 0 3 0	Take up lever spring	1	
34	2301L00	KL 2 3 0 0 1 0	Take up lever spring screw	1	
35	2317L00	KL 2 3 0 1 7 0	Oil core bracket	1	
36			Hex. socket set screw M5 × 6		
37	2350F	KF 2 3 0 5 0 0	Take up lever roller assy	1	
38			Hex. nut 7/32		
39	2307L00	KL 2 3 0 0 7 0	Take up lever (SRE-7)	1	
	2308L00	KL 2 3 0 0 8 0	Take up lever (SRE-5)	1	
40	2358F	KF 2 3 0 5 8 0	Ceramic thread guide SRE (7)	N × 1	
41	2319L00	KL 2 3 0 1 9 0	Take up lever assy SRE (7)	1	
	2320L00	KL 2 3 0 2 0 0	Take up lever assy SRE (5)	1	
42	2301F	KF 2 3 0 0 1 0	Needle bar assy	N × 1	

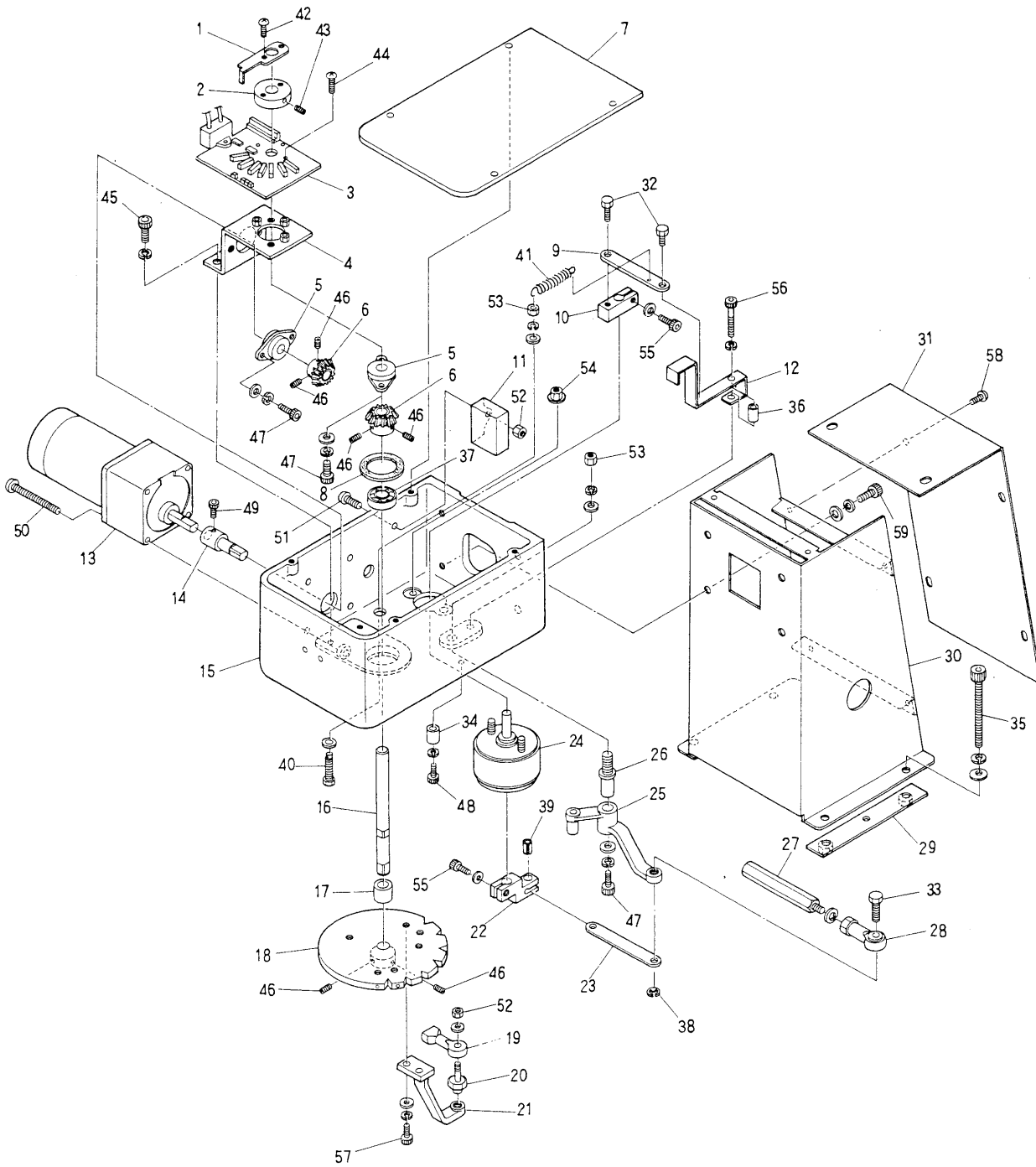
④ Thread guide mechanism



⑤ Jamp mechanism



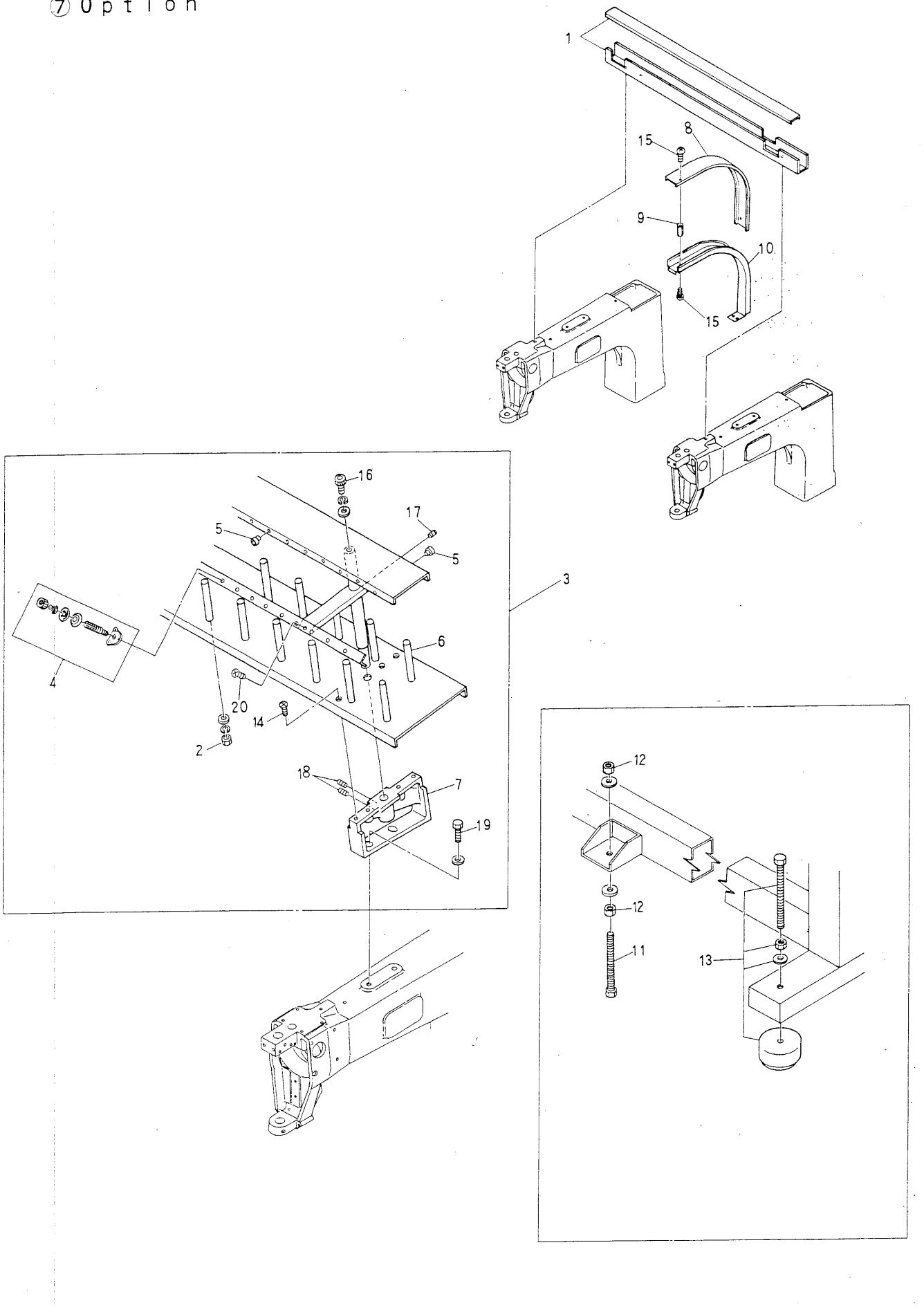
⑥ Color change mechanism



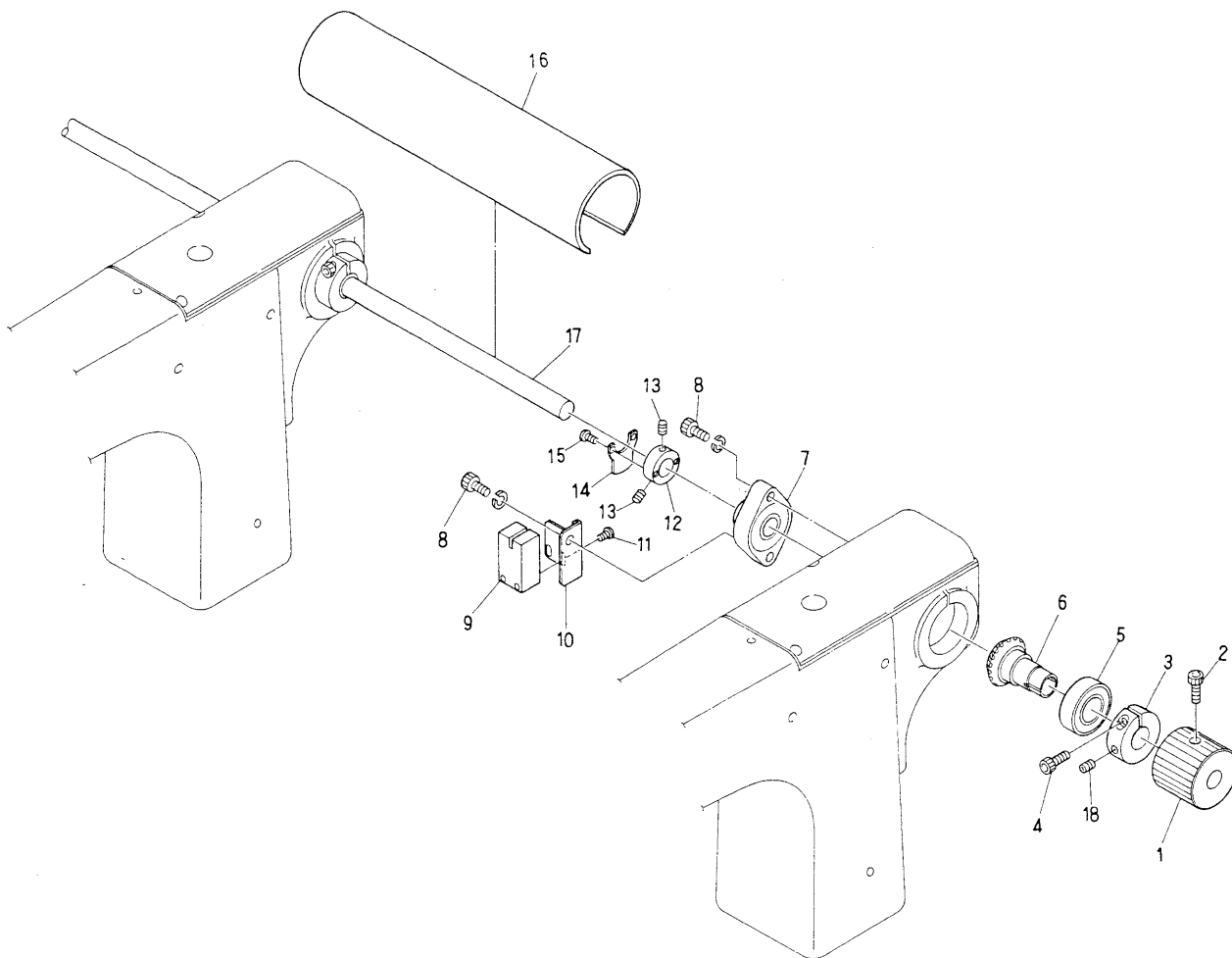
⑥ Color change mechanism

ITEM	PART No.	LIST No.	DESCRIPTION	Q'TY	REMARK
1	3328H01	HH 3 3 0 2 8 1	Detection plate	1	
2	3317C	KC 3 3 0 1 7 0	Plate collar	1	
3	55T0100	EBN 0 0 6 6 0	SDU color change board (7020-4100)	1	
4	33J1U00	KU 3 3 1 9 1 0	Turret drive base	1	
5	91149	A 9 0 1 1 0 4 9	FYH, oilless pyro 80 (80FL-10)	2	
6	3362H	HH 3 3 0 6 2 0	IM25T straight miter bevel	2	
7	33H4U00	KU 3 3 1 7 4 0	Lock detection plate (Drive plate)	1	
8	912F0	A 9 0 1 2 1 5 0	Thrust washer (TW1530)	1	
9	33J4P00	HP 3 3 1 9 4 0	Lock detactive plate (Drive plate)	1	
10	33J6P00	HP 3 3 1 6 9 0	Lock detactive plate (Drive lever)	1	
11			Condenser (3381H accessory)	1	
12	33J3U00	KU 3 3 1 9 3 0	Lock detactive plate	1	
13	3381H	HH 3 3 0 8 1 0	Geard motor RM-F6A5PC3-AS-180	1	
14	33F7P00	HP 3 3 1 5 7 0	Geard motor shaft	1	
15	33J0U00	KU 3 3 1 9 0 0	Turret control box	1	
16	33F8P00	HP 3 3 1 5 8 0	Needle turning shaft	1	
17	33F9P00	HP 3 3 1 5 9 0	Turn table adjusting collar	1	
18	3315G	KG 3 3 0 1 5 0	US Control turning plate	1	
19	91201	A 9 0 1 2 0 0 1	NMB RD4 020R	1	
20	33G6P00	HP 3 3 1 6 6 0	Turret plate joint pin	1	
21	33F2U00	HP 3 3 1 5 2 0	Turret turn table lever	1	
22	33F5P00	HP 3 3 1 5 5 0	Lock solenoid lever	1	
23	33G0P00	HP 3 3 1 6 0 0	Lock lever link	1	
24	95611	A 9 0 5 6 0 1 1	Rotary solenoid 6SR25-27X3.4,9	1	
25	33F3P01	HP 3 3 1 5 3 1	Turret lock lever	1	
26	2363F	KF 2 3 0 6 3 0	Lock lever shaft	1	
27	3351C	KC 3 3 0 5 1 0	Hex, connecting bar (L)	1	
28	91202	A 9 0 1 2 0 0 2	NMB PR-6	1	
29	33H3U00	KU 3 3 1 7 3 0	Turret box stay fixing plate	2	
30	33H1U01	KU 3 3 1 7 1 1	Turret box fixing stay	1	
31	33H2U01	KU 3 3 1 7 2 1	Turret box fixing stay cover	1	
32	740F3Q0	HQ 7 4 1 F 3 0	Bell crank bolt	2	
33	33F6P00	HP 3 3 1 5 6 0	Lock lever pin	1	
34	3367H	HH 3 3 0 6 7 0	Stopper eccentric	1	
35	2362F	KF 2 3 0 6 2 0	Lock lever roller	1	
36	33J5P00	HP 3 3 1 9 5 0	Lock detection plate (Turret shaft)	1	
37	91001	A 9 0 1 0 0 0 1	Bearing (6000zz)	1	
38	91255	A 9 0 1 2 0 5 5	E-ring $\phi 4$	1	
39	912E3	A 9 0 1 2 1 4 3	Spring $\phi 6$ L=12	1	
40	33H5U00	KU 3 3 1 7 5 0	Lock sub spring pin	1	
41	33H6U00	KU 3 3 1 7 6 0	Lock sub spring	1	
42			Screw M3×6		
43			Hex, socket set screw M5×8		
44			Screw M3×4		

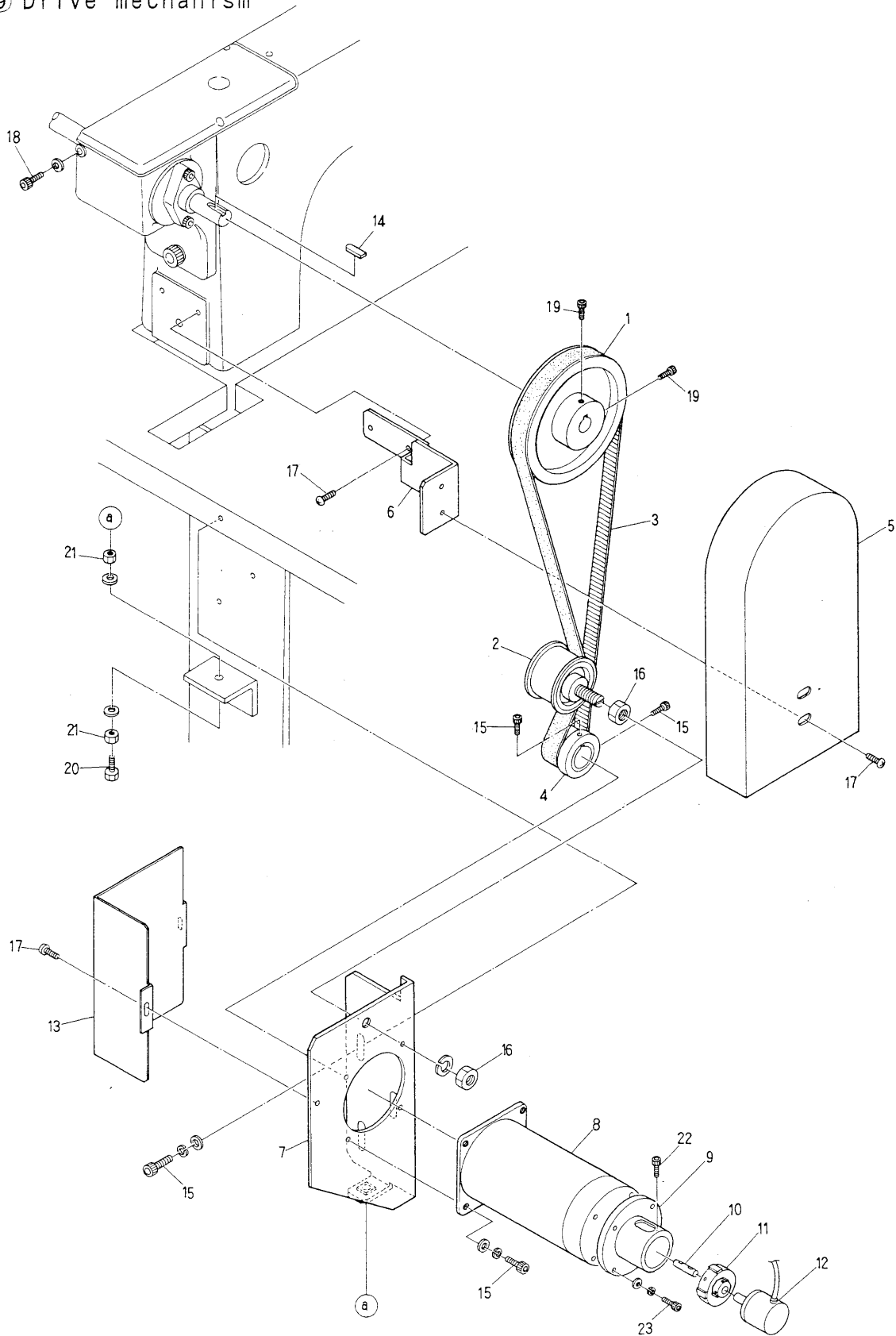
⑦ Option



⑧ Conecting mechanism

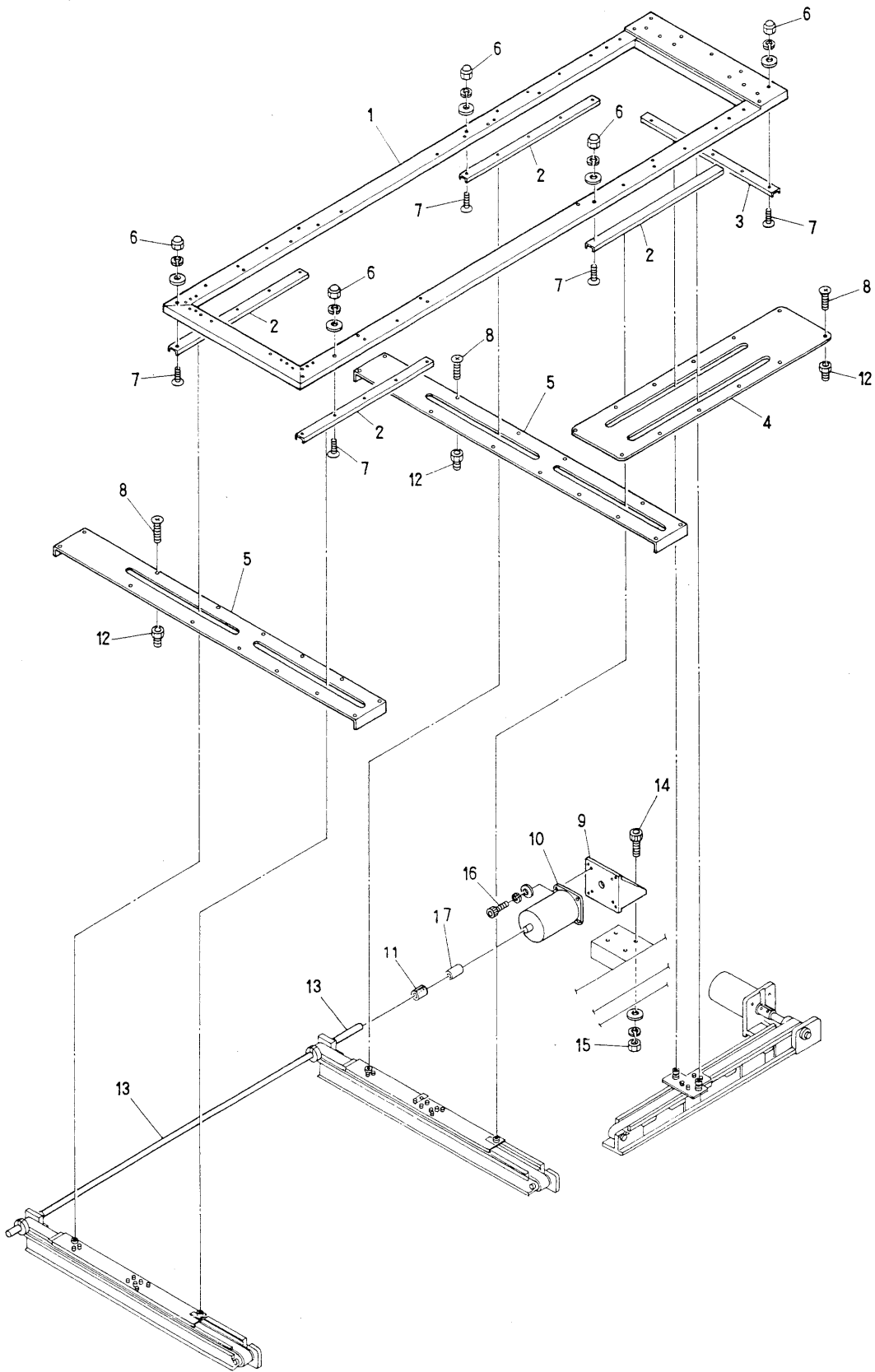


⑨ Drive mechanism

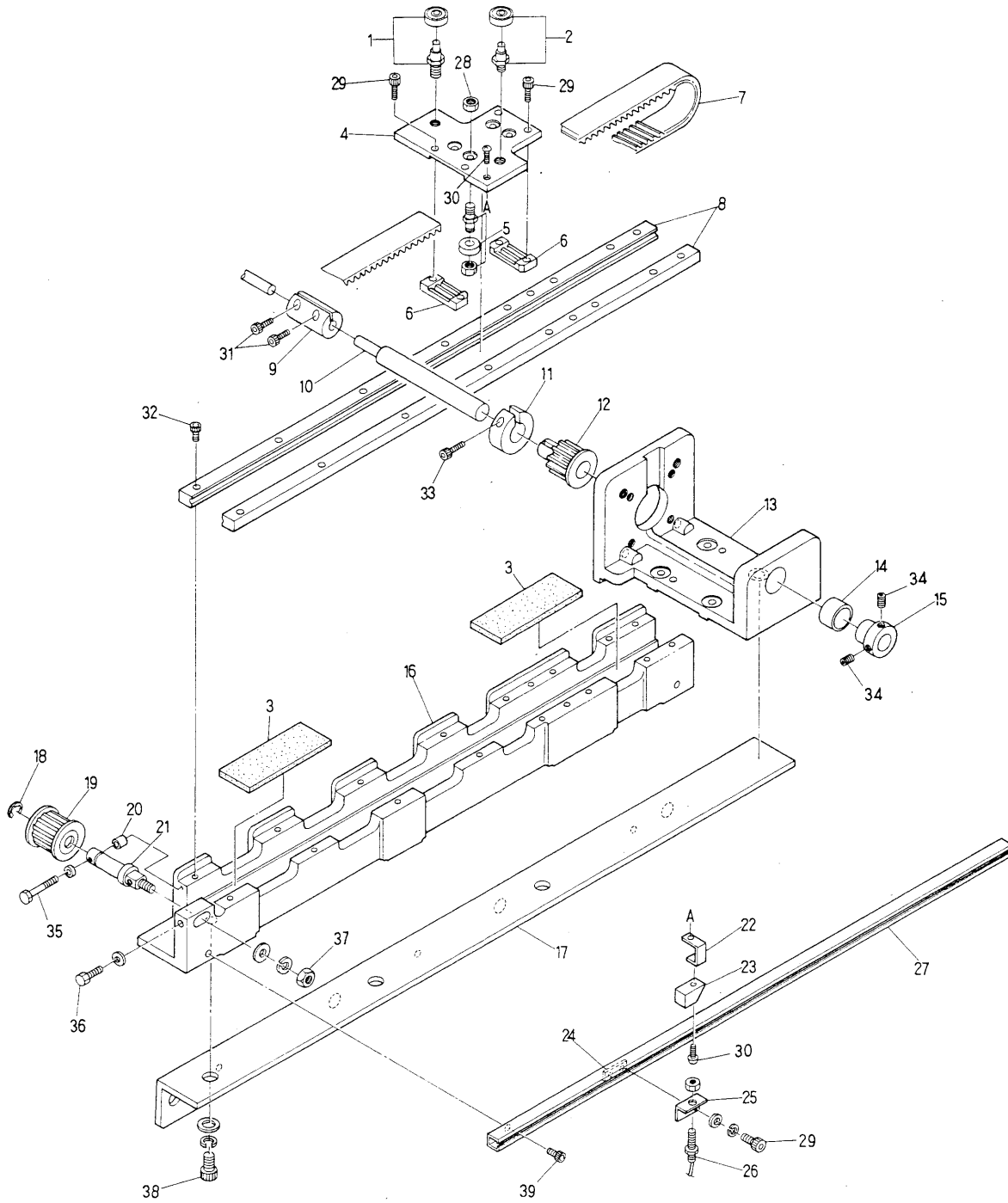


From the library of: Diamond Needle Corp

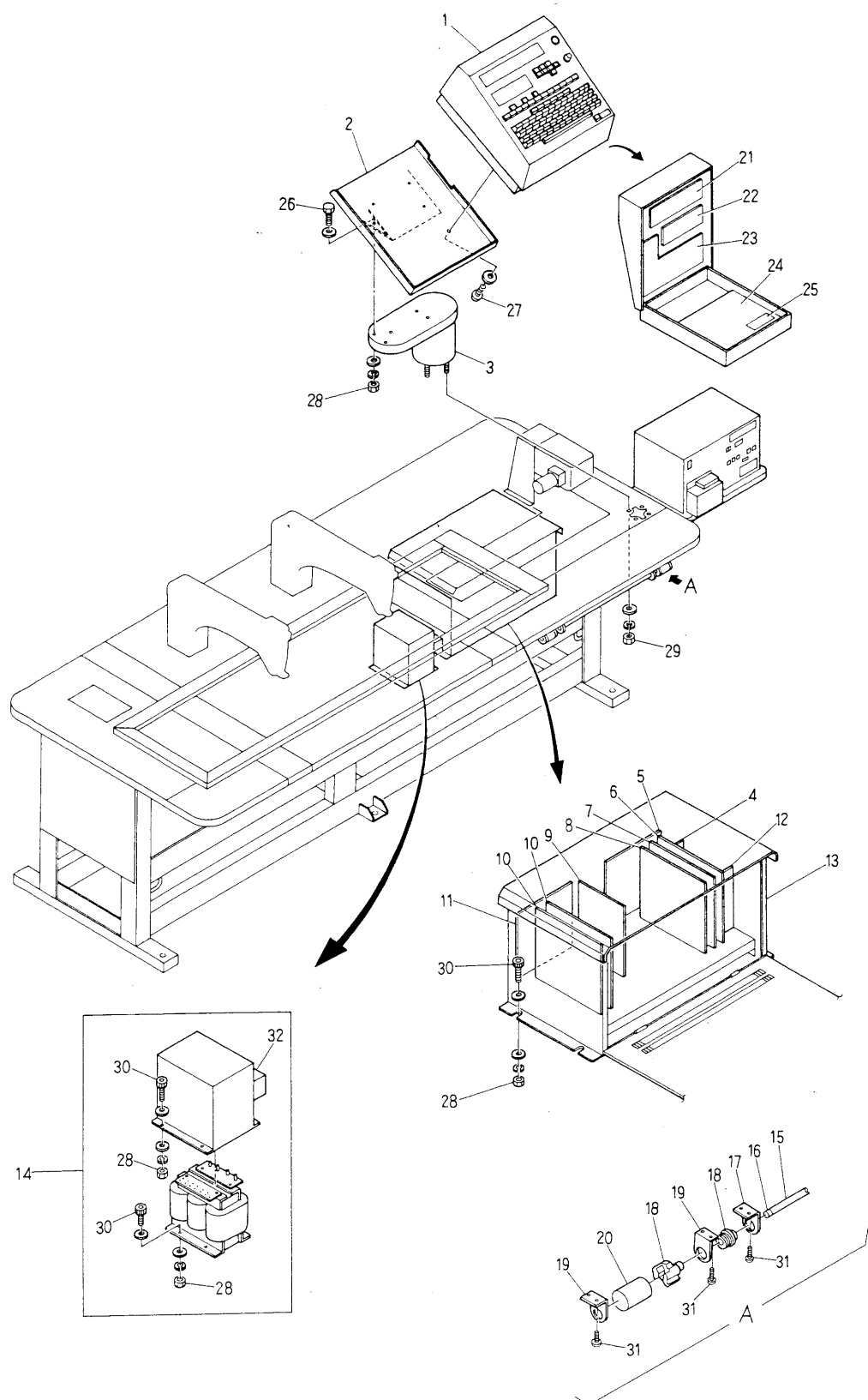
⑩ Pantograph drive mechanism I



⑫ Pantograph drive mechanism (V) III

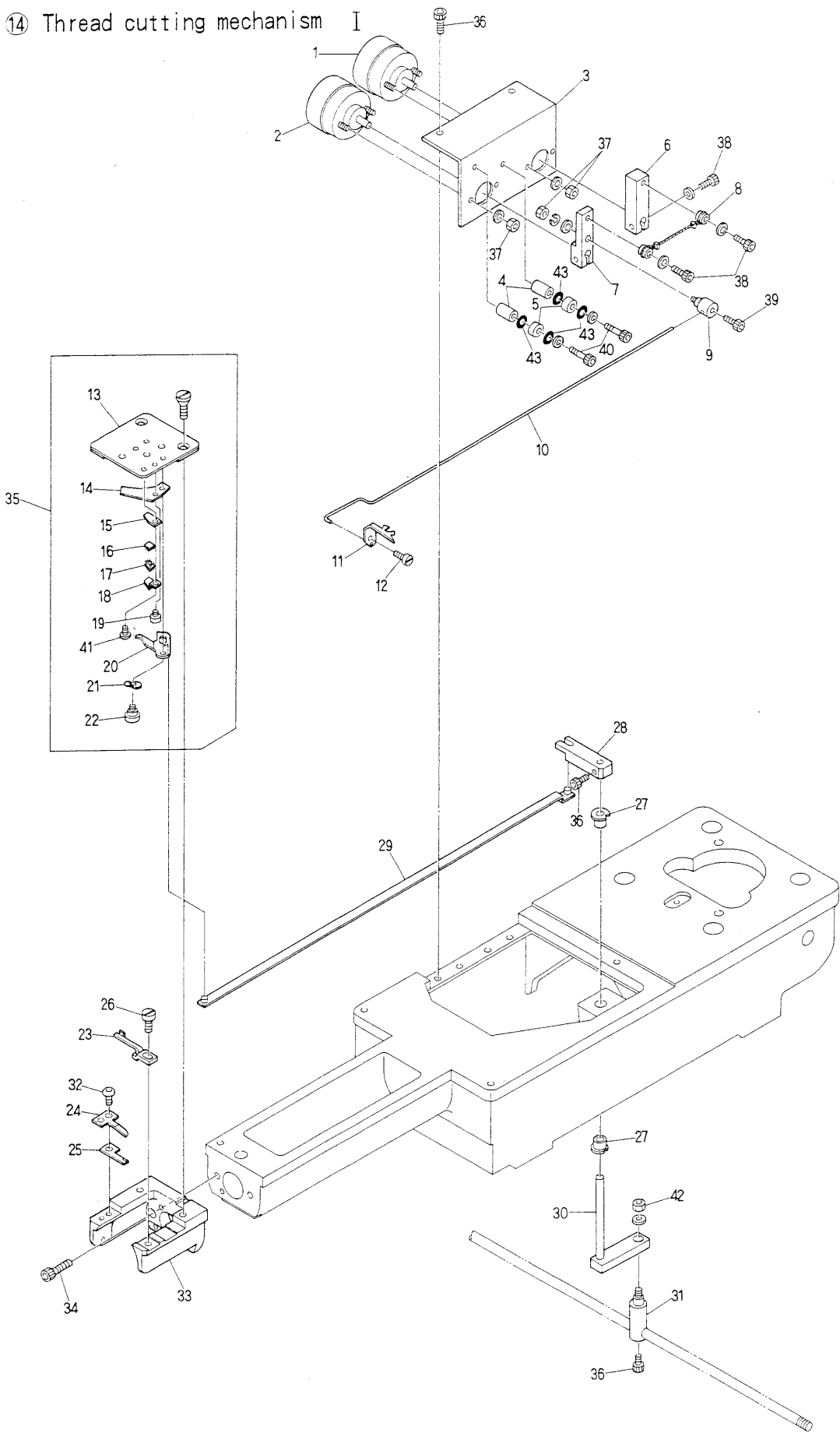


⑬ Control system



From the library of: Diamond Needle Corp

⑭ Thread cutting mechanism I

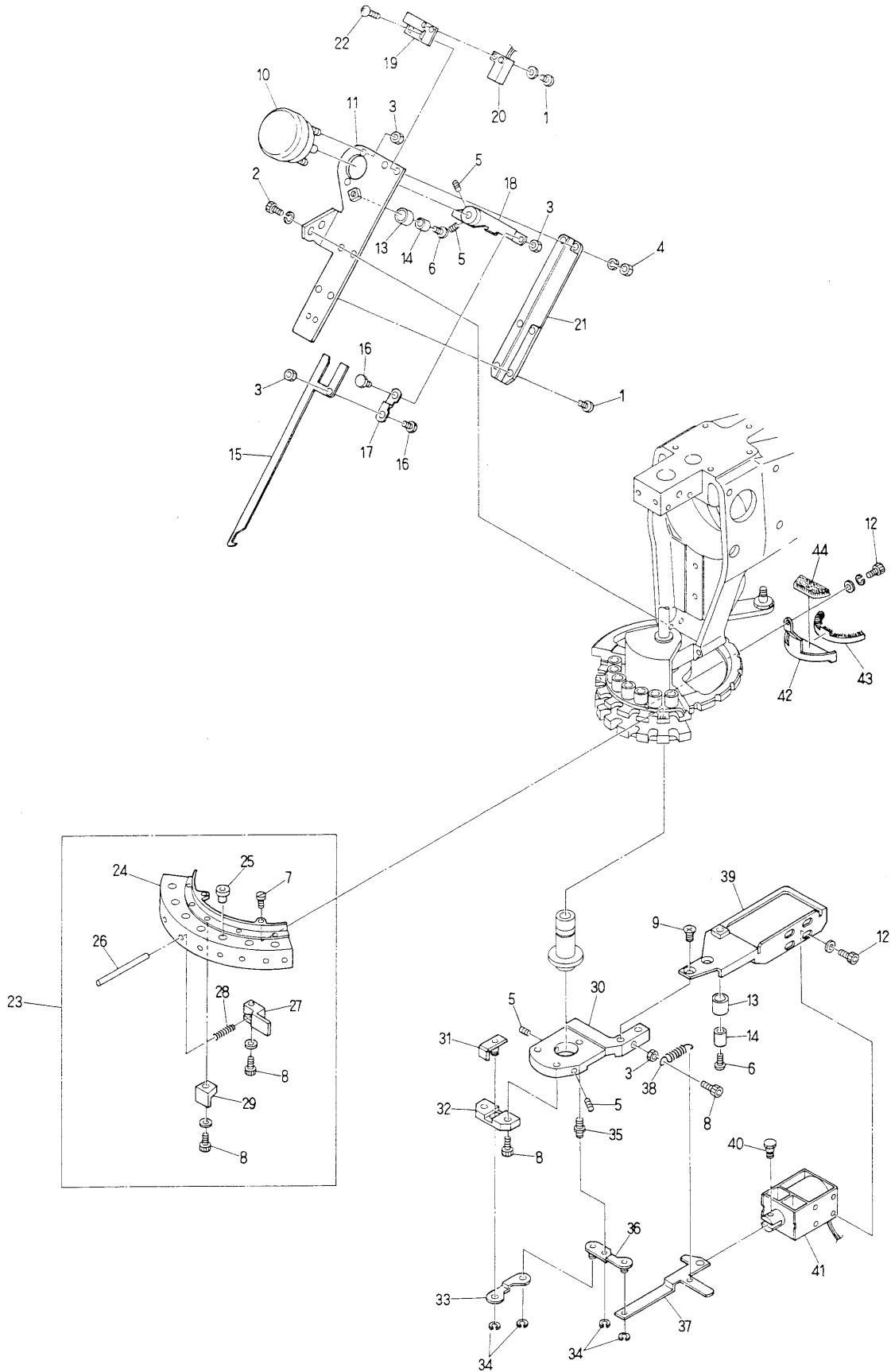


From the library of: Diamond Needle Corp

⑭ Thread cutting mechanism I

ITEM	PART No.	LIST No.	DESCRIPTION	Q'TY	REMARK
1	95612	A 9 0 5 6 0 1 2	Rotary solenoid (3EL25X3.8.9)	1	
2	95608	A 9 0 5 6 0 0 8	Rotary solenoid (3ER25X3.8.9)	1	
3	27J6C	KC 2 7 1 9 6 0	Solenoid stay	1	
4	27G5N01	KN 2 7 1 6 5 1	Stopper eccentric	2	
5	27G6N02	KN 2 7 1 6 6 2	Eccentric cover	2	
6	27J5C	KC 2 7 1 9 5 0	Solenoid lever B	1	
7	27J4C	KC 2 7 1 9 4 0	Solenoid lever A	1	
8	27J7C	KC 2 7 1 9 7 0	Drive rope	1	
9	27A4C01	KC 2 7 1 0 4 1	Conecting clamp	1	
10	27A3C01	KC 2 7 1 0 3 1	Hook drive rod	1	
11	27A2C01	KC 2 7 1 0 2 1	Hook	1	
12	27A0C	KC 2 7 1 0 0 0	Upper thread cutter turning shaft	1	
13	2794C	KC 2 7 0 9 4 0	Needle plate	1	
14	2796C	KC 2 7 0 9 6 0	Fixed cutter	1	
15	27C2C	KC 2 7 1 2 2 0	Lower thread support stay (Upper)	1	
16	27C1C01	KC 2 7 1 2 1 1	Magic tape (Upper)	1	
17	27C0C01	KC 2 7 1 2 0 1	Magic tape (Lower)	1	
18	27B9C01	KC 2 7 1 1 9 1	Lower thread support stay (Lower)	1	
19	2798C	KC 2 7 0 9 8 0	Fixed cutter set screw	1	
20	2795C	KC 2 7 0 9 5 0	Lower thread cutter	1	
21	91345	A 9 0 1 3 0 4 5	Wave washer (WW5)	1	
22	2797C	KC 2 7 0 9 7 0	Lower thread cutter turret shaft	1	
23	2264C01	KC 2 2 0 6 4 1	Bobbin case fixing plate	1	
24	27I9N00	KN 2 7 1 8 9 0	Cutter fixing plate	1	
25	27G0N01	KN 2 7 1 6 0 1	Upper thread cutter	1	
26			Screw (SM11/64 40×7)	1	
27	912B4	A 9 0 1 2 1 1 4	DU bush (MB0505-10FDU)	1	
28	27B2C	KC 2 7 1 1 2 0	Lower thread cutter drive lever (Upper)	1	
29	27A7C	KC 2 7 1 0 7 0	Lower thread cutter drive rod	1	
30	27B3C	KC 2 7 1 1 3 0	Lower thread cutter drive lever (Lower)	1	
31	2364F	K F 2 3 0 6 4 0	Lock connecting bar clamp	1	
32			Hex. socket botton bolt M3×6	1	
33	2112L00	K L 2 1 0 1 2 0	Needle plate bracket (SRE-T)	1	
34			Hex. socket bolt M5×15	1	
35	27B8C	KC 2 7 1 1 8 0	Cylinder needle plate CMP	1	
36			Hex. socket bolt M4×8		
37			Hex. nut M3		
38			Hex. socket bolt M4×10		
39			Hex. socket bolt M3×5		
40			Hex. socket bolt M4×18		
41			Pan screw M3×3		
42			Hex. nut M4		
43	27P4N00	KN 2 7 2 5 4 0	O-Ring 1AP8	4	

15 Thread cutting mechanism II



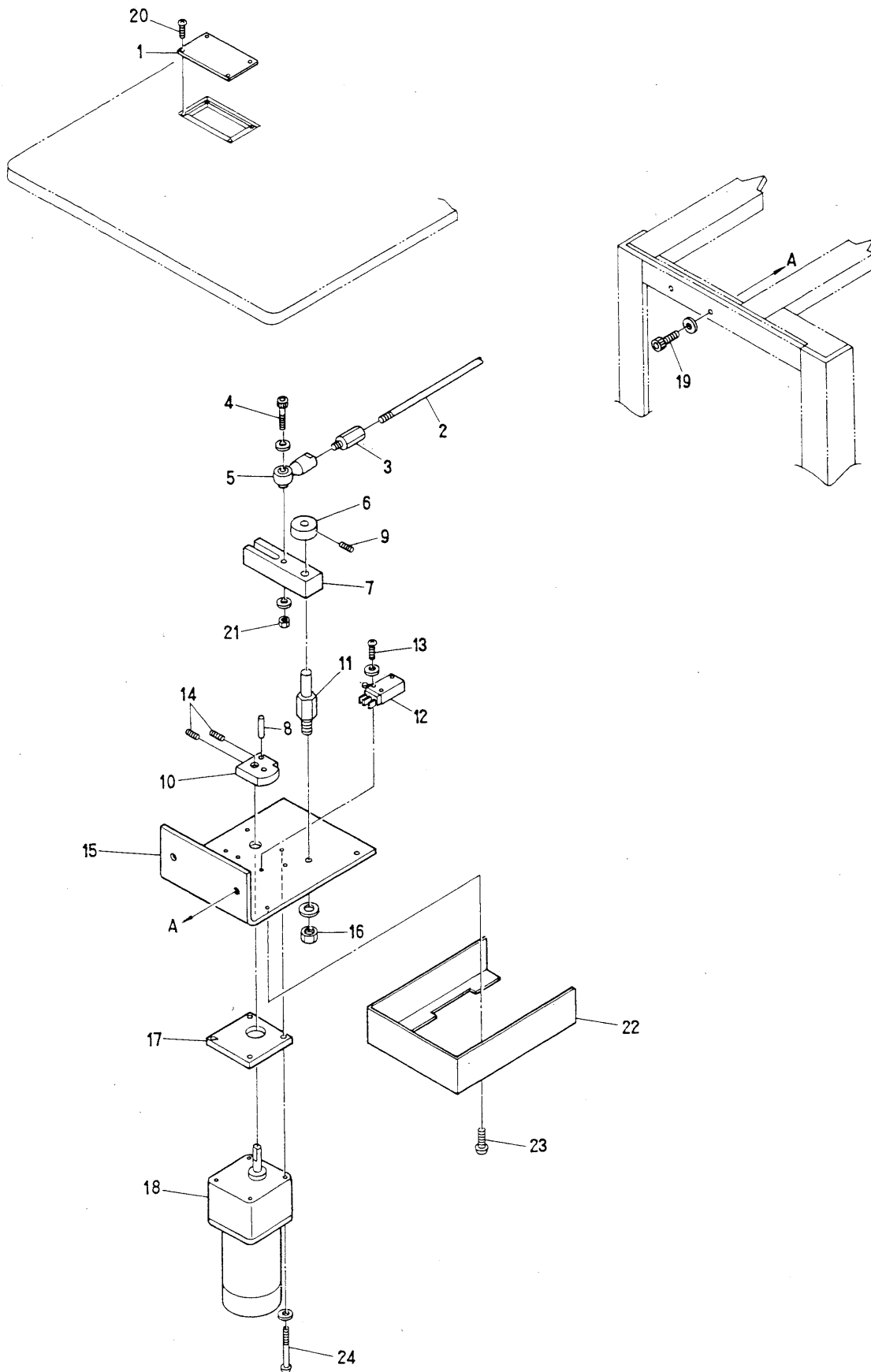
⑮ Thread cutting mechanism II

(N=needle Q'ty)

ITEM	PART No.	LIST No.	DESCRIPTION	Q'TY	REMARK
1			Truss screw M3×6		
2			Hex. socket bolt M4×12		
3			Hex. nut M4		
4			Hex. nut M3		
5			Hex. socket set screw M4×8		
6			Truss screw M4×16		
7			Set screw (SM9/64 40)		
8			Hex. socket bolt M4×10		
9			Pan screw M4×8		
10	95607	A 9 0 5 6 0 0 7	Rotary solenoid	1	
11	2708L00	K L 2 7 0 0 8 0	Thread away base	1	
12			Hex. socket bolt M3×6		
13	2715L00	K L 2 7 0 1 5 0	Eccentric cover	2	
14	2714L00	K L 2 7 0 1 4 0	Stopper eccentric	2	
15	2710L00	K L 2 7 0 1 0 0	Thread away hook	1	
16	2713L00	K L 2 7 0 1 3 0	Lever connecting pin	2	
17	2712L00	K L 2 7 0 1 2 0	Connecting plate	1	
18	2711L00	K L 2 7 0 1 1 0	Thread away solenoid lever	1	
19	2726L00	K L 2 7 0 2 6 0	Switch stay	1	
20	95228	A 9 0 5 2 0 2 8	Limit switch (RS-603)	1	
21	2709L00	K L 2 7 0 0 9 0	Thread away hook guide	1	
22			Truss screw M3×10		
23	2776C01	K C 2 7 0 7 6 1	Thread support apron UF Assy (5)	1	
	2776G	K G 2 7 0 7 6 0	Thread support apron US Assy (7)	1	
24	2728C03	K C 2 7 0 2 8 3	Thread support apron (5)	1	
	2728G02	K G 2 7 0 2 8 2	Thread support apron (7)	1	
25	2358F	K F 2 3 0 5 8 0	Take up lever ceramic	N×1	
26	2731G	K G 2 7 0 3 1 0	Thread support pin (7)	N×1	
27	2730C01	K C 2 7 0 3 0 1	Thread support clamp	N×1	
28	2727C01	K C 2 7 0 2 7 1	Support spring	N×1	
29	2729C02	K C 2 7 0 2 9 2	Thread support block	N×1	
30	2700L00	K L 2 7 0 0 0 0	Fixing base	1	
31	2702L00	K L 2 7 0 0 2 0	Thread support slider	1	
32	2701L00	K L 2 7 0 0 1 0	Slide base	1	
33	2703L00	K L 2 7 0 0 3 0	Driving plate	1	
34	912C7	A 9 0 1 2 1 2 7	E-ring	4	
35	2704L00	K L 2 7 0 0 4 0	Lever turret pin	1	
36	2705L00	K L 2 7 0 0 5 0	Solenoid lever	1	
37	2706L00	K L 2 7 0 0 6 0	Lever connecting plate	1	
38	2740C	K C 2 7 0 4 0 0	Thread support lever spring	1	
39	2707L00	K L 2 7 0 0 7 0	Solenoid stay	1	
40	2710C01	K C 2 7 0 1 0 1	Solenoid pin	1	
41	95613	A 9 0 5 6 0 1 3	Keep solenoid	1	
42	2728L00	K L 2 7 0 2 8 0	Thread hanger plate (5)	1	

From the library of: Diamond Needle Corp

⑩ Thread cutting mechanism III



I N D E X

L I S T No.	PART No.	PAGENO.	ITEM	L I S T No.	PART No.	PAGENO.	ITEM
1 P U 0 2 5 2 0	3A00010	1 7	1 6	E A N 0 1 6 A 1	51H3UAU	2 7	1
A 9 0 1 0 0 0 1	91001	1 3	3 7	E A N 0 1 6 A 2	51H4UAU	2 7	1 3
A 9 0 1 0 0 0 9	91009	1 1	1 0	E A N 0 2 0 A 3	51J5UAU	2 7	1 4
A 9 0 1 0 0 1 7	91017	5	5	E A N 0 2 1 A 3	51J6UAU	2 7	1 4
A 9 0 1 0 0 1 7	91017	1 7	5	E A N 0 2 2 A 3	51J7UAU	2 7	1 4
A 9 0 1 1 0 2 1	91121	7	2 2	E B N 0 0 5 6 0	55T0000	2 7	1 1
A 9 0 1 1 0 2 2	91122	7	2 3	E B N 0 0 5 7 0	55T0010	2 7	9
A 9 0 1 1 0 2 3	91123	7	2 1	E B N 0 0 5 8 0	55T0020	2 7	5
A 9 0 1 1 0 4 9	91149	1 3	5	E B N 0 0 5 9 0	55T0030	2 7	4
A 9 0 1 1 0 6 3	91163	2 3	1 4	E B N 0 0 6 0 0	55T0040	2 7	6
A 9 0 1 1 0 6 3	91163	2 5	1 4	E B N 0 0 6 1 0	55T0050	2 7	1 2
A 9 0 1 1 0 7 9	91179	2 3	2 5	E B N 0 0 6 2 0	55T0060	2 7	7
A 9 0 1 2 0 0 1	91201	1 3	1 9	E B N 0 0 6 3 0	55T0070	2 7	8
A 9 0 1 2 0 0 2	91202	1 3	2 8	E B N 0 0 6 4 0	55T0080	2 7	1 0
A 9 0 1 2 0 0 2	91202	3 3	5	E B N 0 0 6 5 0	55T0090	9	6
A 9 0 1 2 0 0 3	91203	7	5 8	E B N 0 0 6 6 0	55T0100	1 3	3
A 9 0 1 2 0 0 5	91205	7	5 8	E B N 0 0 6 7 0	55T0110	2 7	2 1
A 9 0 1 2 0 0 7	91207	5	3 4	E B N 0 0 6 8 0	55T0120	2 7	2 2
A 9 0 1 2 0 0 8	91208	3	9	E B N 0 0 6 9 0	55T0130	2 7	2 3
A 9 0 1 2 0 2 7	91227	5	5 7	E B N 0 0 7 0 0	55T0140	2 7	2 4
A 9 0 1 2 0 5 2	91252	2 3	2 7	E B N 0 0 7 1 0	55T0150	2 7	2 5
A 9 0 1 2 0 5 2	91252	2 5	1 8	F A 9 1 1 0 9 6	EE99342	2 7	3 2
A 9 0 1 2 0 5 5	91255	1 3	3 8	H H 1 2 0 9 0 0	1290H	1 5	1 3
A 9 0 1 2 1 1 4	912B4	2 9	2 7	H H 3 3 0 2 8 1	3328H01	1 3	1
A 9 0 1 2 1 2 7	912C7	3 1	3 4	H H 3 3 0 6 2 0	3362H	1 3	6
A 9 0 1 2 1 4 3	912E3	1 3	3 9	H H 3 3 0 6 7 0	3367H	1 3	3 4
A 9 0 1 2 1 5 0	912F0	1 3	8	H H 3 3 0 8 1 0	3381H	1 3	1 3
A 9 0 1 3 0 4 5	91345	2 9	2 1	H H 4 8 1 9 3 1	48J3H01	2 1	1 1
A 9 0 1 4 0 6 3	91463	5	6 0	H H 4 8 1 9 3 1	48J3H01	2 5	9
A 9 0 2 0 0 9 8	92098	2 3	1 0	H H 4 8 1 9 7 0	48J7H	2 3	1 2
A 9 0 2 0 0 9 8	92098	2 5	7	H H 4 8 1 9 7 0	48J7H	2 5	1 5
A 9 0 2 0 1 1 6	920B6	1 9	3	H H 4 8 1 9 8 0	48J8H	2 3	1 6
A 9 0 2 0 1 2 0	920C0	1 9	2	H H 4 8 1 9 8 0	48J8H	2 5	1 1
A 9 0 5 2 0 0 5	95205	3 3	1 2	H H 4 8 1 9 9 1	48J9H01	2 3	2 3
A 9 0 5 2 0 2 4	95224	2 3	1 9	H H 4 8 1 9 9 1	48J9H01	2 5	2 1
A 9 0 5 2 0 2 4	95224	2 5	2 6	H H 4 8 2 1 1 0	48L1H	2 3	2 4
A 9 0 5 2 0 2 6	95226	2 3	2	H H 4 8 2 1 1 0	48L1H	2 5	2 0
A 9 0 5 2 0 2 6	95226	2 5	2 3	H P 2 3 1 2 9 0	23C9P00	7	2 9
A 9 0 5 2 0 2 8	95228	3 1	2 0	H P 2 3 1 3 0 1	23D0P01	7	2 7
A 9 0 5 6 0 0 7	95607	3 1	1 0	H P 2 3 1 3 1 0	23D1P00	7	2 4
A 9 0 5 6 0 0 8	95608	2 9	2	H P 2 3 1 3 3 0	23D3P00	1 1	9
A 9 0 5 6 0 1 1	95611	1 3	2 4	H P 2 3 1 3 4 0	23D4P00	7	5 5
A 9 0 5 6 0 1 2	95612	2 9	1	H P 2 3 1 3 7 0	23D7P00	7	2 6
A 9 0 5 6 0 1 3	95613	3 1	4 1	H P 2 3 1 3 9 0	23D9P00	5	1 3
A 9 0 6 5 0 2 6	96526	3 3	1 8	H P 2 4 0 0 2 0	2402P00	1 1	1

I N D E X

L I S T No.	PART No.	PAGENO.	ITEM	L I S T No.	PART No.	PAGENO.	ITEM
HP 2 4 1 1 1 0	24B1P00	9	2	KC 2 2 0 2 1 0	2221C	5	4 0
HP 2 4 1 1 3 0	24B3P00	1 1	1 9	KC 2 2 0 6 4 1	2264C01	2 9	2 3
HP 2 4 1 1 4 0	24B4P00	1 1	1 9	KC 2 5 0 4 7 1	2547C01	5	5 5
HP 2 4 1 1 5 0	24B5P00	9	1 1	KC 2 5 0 4 8 1	2548C01	5	5 4
HP 2 4 1 1 6 0	24B6P00	9	3	KC 2 7 0 1 0 1	2710C01	3 1	4 0
HP 2 4 1 1 7 0	24B7P00	9	9	KC 2 7 0 2 7 1	2727C01	3 1	2 8
HP 2 4 1 1 9 0	24B9P00	9	7	KC 2 7 0 2 8 3	2728C03	3 1	2 4
HP 2 4 1 2 1 0	24C1P00	1 1	1 8	KC 2 7 0 2 9 2	2729C02	3 1	2 9
HP 2 4 1 3 7 1	24D7P01	9	4	KC 2 7 0 3 0 1	2730C01	3 1	2 7
HP 2 4 1 3 9 0	24D9P00	9	5	KC 2 7 0 4 0 0	2740C	3 1	3 8
HP 2 4 1 4 0 0	24E0P00	9	1 3	KC 2 7 0 7 6 1	2776C01	3 1	2 3
HP 2 4 1 4 1 0	24E1P00	9	1 2	KC 2 7 0 9 4 0	2794C	2 9	1 3
HP 2 4 1 4 5 0	24E5P00	9	8	KC 2 7 0 9 5 0	2795C	2 9	2 0
HP 2 4 1 4 7 0	24E7P00	9	1 0	KC 2 7 0 9 6 0	2796C	2 9	1 4
HP 2 5 0 0 5 0	2505P00	9	1 7	KC 2 7 0 9 7 0	2797C	2 9	2 2
HP 2 5 0 5 8 1	2558P01	9	1 6	KC 2 7 0 9 8 0	2798C	2 9	1 9
HP 3 2 1 1 4 0	32B4P00	1 7	7	KC 2 7 1 0 0 0	27A0C	2 9	1 2
HP 3 3 1 5 3 1	33F3P01	1 3	2 5	KC 2 7 1 0 2 1	27A2C01	2 9	1 1
HP 3 3 1 5 5 0	33F5P00	1 3	2 2	KC 2 7 1 0 3 1	27A3C01	2 9	1 0
HP 3 3 1 5 6 0	33F6P00	1 3	3 3	KC 2 7 1 0 4 1	27A4C01	2 9	9
HP 3 3 1 5 7 0	33F7P00	1 3	1 4	KC 2 7 1 0 7 0	27A7C	2 9	2 9
HP 3 3 1 5 8 0	33F8P00	1 3	1 6	KC 2 7 1 1 2 0	27B2C	2 9	2 8
HP 3 3 1 5 9 0	33F9P00	1 3	1 7	KC 2 7 1 1 3 0	27B3C	2 9	3 0
HP 3 3 1 6 0 0	33G0P00	1 3	2 3	KC 2 7 1 1 4 0	27B4C	3 3	7
HP 3 3 1 6 6 0	33G6P00	1 3	2 0	KC 2 7 1 1 5 1	27B5C01	3 3	1 1
HP 3 3 1 9 4 0	33J4P00	1 3	9	KC 2 7 1 1 6 2	27B6C02	3 3	1 5
HP 3 3 1 9 5 0	33J5P00	1 3	3 6	KC 2 7 1 1 7 2	27B7C02	3 3	1 0
HP 3 3 1 9 6 0	33J6P00	1 3	1 0	KC 2 7 1 1 8 0	27B8C	2 9	3 5
HP 4 8 2 9 1 0	48T1P00	2 5	8	KC 2 7 1 1 9 1	27B9C01	2 9	1 8
HP 4 8 2 9 4 0	48T4P00	2 3	1 1	KC 2 7 1 2 0 1	27C0C01	2 9	1 7
HP 4 8 2 9 4 0	48T4P00	2 5	6	KC 2 7 1 2 1 1	27C1C01	2 9	1 6
HP 4 8 2 9 5 0	48T5P00	2 3	6	KC 2 7 1 2 2 0	27C2C	2 9	1 5
HP 4 8 2 9 5 0	48T5P00	2 5	5	KC 2 7 1 4 3 0	27E3C	3 3	1 7
HP 4 8 2 9 8 0	48T8P00	2 3	2 6	KC 2 7 1 4 4 0	27E4C	3 3	1
HP 4 8 2 9 8 0	48T8P00	2 5	1 9	KC 2 7 1 9 4 0	27J4C	2 9	7
HP 4 8 2 9 9 0	48T9P00	2 3	1 5	KC 2 7 1 9 5 0	27J5C	2 9	6
HP 4 8 2 9 9 0	48T9P00	2 5	1 2	KC 2 7 1 9 6 0	27J6C	2 9	3
HP 4 8 3 1 1 1	48V1P01	2 5	1	KC 2 7 1 9 7 0	27J7C	2 9	8
HP 4 8 3 3 7 0	48X7P00	2 3	3	KC 3 2 0 5 9 0	3259C	1 7	1
HP 4 8 3 3 7 0	48X7P00	2 5	2	KC 3 3 0 1 7 0	3317C	1 3	2
HP 4 8 3 3 9 0	48X9P00	2 3	4	KC 3 3 0 1 8 0	3318C	3 3	6
HP 7 1 0 7 9 0	7179P00	1 5	7	KC 3 3 0 4 1 0	3341C	7	1 5
HQ 7 4 1 F 3 0	740F3Q0	1 3	3 2	KC 3 3 0 4 1 0	3341C	3 3	2
KC 1 1 0 9 1 0	1191C	3	2 4	KC 3 3 0 5 1 0	3351C	1 3	2 7
KC 1 2 0 8 4 1	1284C01	3	1 4	KC 3 3 0 5 1 0	3351C	3 3	3

I N D E X

LIST No.	PART No.	PAGENO.	ITEM	LIST No.	PART No.	PAGENO.	ITEM
KC 4 8 0 1 5 0	4815C	2 1	5	KF 2 4 0 2 0 0	2420F00	1 1	3
KC 4 8 0 3 5 0	4835C	2 1	3	KF 2 4 0 4 2 0	2442F	1 1	1 3
KC 5 1 0 2 4 0	5124C	1 9	1 1	KF 2 4 0 4 5 0	2445F	1 1	5
KC 5 3 0 2 3 0	5323C00	2 7	1 9	KF 2 4 0 4 6 0	2446F	1 1	1 2
KC 5 3 0 2 4 0	5324C00	2 7	1 7	KF 2 4 0 4 7 0	2447F	1 1	1 1
KC 3 3 0 3 1 0 3 8 0	3331C	7	5 6	KF 2 4 0 4 8 0	2448F	1 1	8
KF 2 2 0 1 3 0	2213F	5	1 1	KF 2 4 0 4 9 0	2449F	1 1	7
KF 2 2 0 2 3 0	2223F	5	4 4	KF 2 4 0 6 1 0	2461F	1 1	1 4
KF 2 2 0 2 7 0	2227F	5	2 7	KF 2 4 0 9 0 0	2490F	1 5	5
KF 2 2 0 2 9 0	2229F	5	3 7	KF 2 4 0 9 3 1	2493F01	9	1 5
KF 2 2 0 3 1 0	2231F	5	4 9	KF 2 5 0 9 0 0	2590F	5	4 2
KF 2 2 0 3 7 0	2237F	5	5 2	KF 3 3 0 3 8 1	3338F01	7	1 4
KF 2 2 0 4 1 0	2241F	5	5 1	KF 5 3 0 1 1 0	5311F	2 7	1 8
KF 2 2 0 4 6 0	2246F	5	1 9	KF 5 3 0 1 2 0	5312F	2 7	1 8
KF 2 2 0 4 7 0	2247F	5	2 6	KF 5 3 0 1 5 0	5315F	2 7	2 0
KF 2 2 0 4 8 0	2248F	5	3 5	KF 5 3 0 1 6 0	5316F	2 7	1 5
KF 2 2 0 7 5 0	2275F00	5	4 9	KF 5 3 0 1 7 0	5317F	2 7	1 6
KF 2 3 0 0 1 0	2301F	7	4 2	KF 5 4 0 3 5 0	5435F	1 7	9
KF 2 3 0 1 5 0	2315F	7	5 9	KF 7 1 0 2 8 0	7128F	1 5	6
KF 2 3 0 1 8 0	2318F	7	4 3	KG 1 2 0 6 6 2	1266G02	3	2
KF 2 3 0 2 1 0	2321F	7	4 5	KG 2 1 0 9 1 1	2191G01	5	5 6
KF 2 3 0 2 3 0	2323F	7	4 9	KG 2 3 0 0 2 0	2302G	7	4 4
KF 2 3 0 2 4 0	2324F	7	5 0	KG 2 3 0 6 1 0	2361G	7	1 7
KF 2 3 0 2 5 0	2325F	7	5 1	KG 2 4 1 0 2 0	24A2G	9	1
KF 2 3 0 3 2 0	2332F	7	2	KG 2 4 1 0 3 1	24A3G01	1 5	4
KF 2 3 0 4 2 0	2342F	5	3 0	KG 2 7 0 2 8 2	2728G02	3 1	2 4
KF 2 3 0 4 5 0	2345F	7	2 8	KG 2 7 0 3 1 0	2731G	3 1	2 6
KF 2 3 0 4 8 0	2348F	7	3 0	KG 2 7 0 7 6 0	2776G	3 1	2 3
KF 2 3 0 5 0 0	2350F	7	3 7	KG 3 3 0 1 5 0	3315G	1 3	1 8
KF 2 3 0 5 1 2	2351F02	7	3	KG 7 1 1 1 7 0	71B7G00	1 5	3
KF 2 3 0 5 2 1	2352F01	7	4	KL 2 1 0 0 0 0	2100L00	5	2 3
KF 2 3 0 5 8 0	2358F	7	4 0	KL 2 1 0 0 0 T	2100LOT	5	2 3
KF 2 3 0 5 8 0	2358F	3 1	2 5	KL 2 1 0 0 1 0	2101L00	5	2 3
KF 2 3 0 6 2 0	2362F	1 3	3 5	KL 2 1 0 0 1 T	2101LOT	5	2 3
KF 2 3 0 6 3 0	2363F	7	1 0	KL 2 1 0 1 2 0	2112L00	2 9	3 3
KF 2 3 0 6 3 0	2363F	1 3	2 6	KL 2 1 0 1 3 0	2113L00	5	4 7
KF 2 3 0 6 4 0	2364F	7	1 2	KL 2 1 0 1 4 0	2114L00	5	1 7
KF 2 3 0 6 4 0	2364F	2 9	3 1	KL 2 2 0 0 0 0	2200L00	5	1 6
KF 2 3 0 6 5 0	2365F	7	9	KL 2 2 0 0 1 0	2201L00	5	2 4
KF 2 3 0 6 6 1	2366F01	7	1 9	KL 2 2 0 0 2 0	2202L00	5	2 9
KF 2 3 0 6 7 0	2367F	7	2 0	KL 2 2 0 0 3 0	2203L00	5	1 5
KF 2 3 0 9 1 0	2391F	7	4 7	KL 2 2 0 0 4 0	2204L00	5	6
KF 2 3 0 9 2 0	2392F	7	4 6	KL 2 2 0 0 5 0	2205L00	5	2 1
KF 2 3 0 9 3 0	2393F	7	4 8	KL 2 2 0 0 6 0	2206L00	5	2 5
KF 2 4 0 0 3 0	2403F	1 1	2	KL 2 2 0 0 7 0	2207L00	5	3 6

I N D E X

LIST No.	PART No.	PAGENO.	ITEM	LIST No.	PART No.	PAGENO.	ITEM
KL 2 2 0 0 8 0	2208L00	5	1 2	KL 2 7 0 2 9 0	2729L00	3 1	4 2
KL 2 2 0 0 9 0	2209L00	5	4	KL 2 7 0 3 0 0	2730L00	3 1	4 3
KL 2 2 0 1 0 0	2210L00	5	1	KL 2 7 0 3 1 0	2731L00	3 1	4 4
KL 2 2 0 1 1 0	2211L00	5	3	KL 2 7 0 3 2 0	2732L00	3 1	4 3
KL 2 2 0 1 2 0	2212L00	5	4 1	KL 2 7 0 3 3 0	2733L00	3 1	4 4
KL 2 2 0 1 3 0	2213L00	5	1 4	KL 3 2 0 0 0 0	3200L00	1 7	6
KL 2 2 0 1 4 0	2214L00	5	2 0	KL 3 2 0 0 2 0	3202L00	1 7	3
KL 2 2 0 1 5 0	2215L00	5	8	KN 2 3 0 4 1 0	2341N00	5	3 1
KL 2 3 0 0 0 0	2300L00	7	1	KN 2 3 0 4 3 0	2343N00	5	3 3
KL 2 3 0 0 1 0	2301L00	7	3 4	KN 2 7 1 6 0 1	27G0N01	2 9	2 5
KL 2 3 0 0 2 0	2302L00	7	3 2	KN 2 7 1 6 5 1	27G5N01	2 9	4
KL 2 3 0 0 3 0	2303L00	7	3 3	KN 2 7 1 6 6 2	27G6N02	2 9	5
KL 2 3 0 0 5 0	2305L00	7	5 4	KN 2 7 1 7 1 2	27H1N02	3 3	2 2
KL 2 3 0 0 7 0	2307L00	7	3 9	KN 2 7 1 8 9 0	27I9N00	2 9	2 4
KL 2 3 0 0 8 0	2308L00	7	3 9	KN 2 7 2 3 5 0	27N5N00	3 3	8
KL 2 3 0 1 1 0	2311L00	7	5 3	KN 2 7 2 5 4 0	27P4N00	2 9	4 3
KL 2 3 0 1 2 0	2312L00	7	5 3	KN 4 8 0 0 6 1	4806N01	2 3	8
KL 2 3 0 1 3 0	2313L00	7	5 2	KN 4 8 0 0 6 1	4806N01	2 5	3
KL 2 3 0 1 4 0	2314L00	7	3 1	KN 4 8 0 4 2 0	4842N00	2 1	2
KL 2 3 0 1 7 0	2317L00	7	3 5	KN 4 8 2 0 0 0	48K0N00	2 3	2 1
KL 2 3 0 1 9 0	2319L00	7	4 1	KN 4 8 2 0 1 0	48K1N00	2 3	1 3
KL 2 3 0 2 0 0	2320L00	7	4 1	KN 4 8 2 8 7 0	48S7N00	2 3	5
KL 2 3 0 2 1 0	2321L00	7	6 0	KN 4 8 2 8 8 0	48S8N00	2 3	7
KL 2 3 0 2 2 0	2322L00	7	6 0	KN 4 8 3 4 0 0	48Y0N00	2 3	2 0
KL 2 5 0 0 1 0	2501L00	9	1 4	KN 4 8 3 4 5 0	48Y5N00	2 3	2 2
KL 2 5 0 0 4 0	2504L00	5	7	KU 1 2 0 8 0 0	1280U00	3	1 3
KL 2 5 0 0 5 0	2505L00	5	5 9	KU 1 4 0 5 5 0	1455U00	3	1 5
KL 2 7 0 0 0 0	2700L00	3 1	3 0	KU 1 5 1 6 2 3	15G2U03	3	1
KL 2 7 0 0 1 0	2701L00	3 1	3 2	KU 1 5 1 7 7 0	15H7U00	3	6
KL 2 7 0 0 2 0	2702L00	3 1	3 1	KU 1 6 1 6 2 2	16G2U02	3	5
KL 2 7 0 0 3 0	2703L00	3 1	3 3	KU 3 1 0 1 0 0	3110U00	1 9	7
KL 2 7 0 0 4 0	2704L00	3 1	3 5	KU 3 1 0 1 5 2	3115U02	1 9	1 3
KL 2 7 0 0 5 0	2705L00	3 1	3 6	KU 3 1 0 1 6 1	3116U01	1 7	1 0
KL 2 7 0 0 6 0	2706L00	3 1	3 7	KU 3 1 2 7 2 0	31R2U00	1 9	4
KL 2 7 0 0 7 0	2707L00	3 1	3 9	KU 3 1 2 7 3 0	31R3U00	1 9	1
KL 2 7 0 0 8 0	2708L00	3 1	1 1	KU 3 1 2 7 4 1	31R4U01	1 9	5
KL 2 7 0 0 9 0	2709L00	3 1	2 1	KU 3 1 2 7 5 1	31R5U01	1 9	6
KL 2 7 0 1 0 0	2710L00	3 1	1 5	KU 3 1 2 7 6 1	31R6U01	1 7	1 7
KL 2 7 0 1 1 0	2711L00	3 1	1 8	KU 3 1 5 2 5 0	31GJU00	1 9	1 4
KL 2 7 0 1 2 0	2712L00	3 1	1 7	KU 3 3 1 5 2 0	33F2U00	1 3	2 1
KL 2 7 0 1 3 0	2713L00	3 1	1 6	KU 3 3 1 7 1 1	33H1U01	1 3	3 0
KL 2 7 0 1 4 0	2714L00	3 1	1 4	KU 3 3 1 7 2 1	33H2U01	1 3	3 1
KL 2 7 0 1 5 0	2715L00	3 1	1 3	KU 3 3 1 7 3 0	33H3U00	1 3	2 9
KL 2 7 0 2 6 0	2726L00	3 1	1 9	KU 3 3 1 7 4 0	33H4U00	1 3	7
KL 2 7 0 2 8 0	2728L00	3 1	4 2	KU 3 3 1 7 5 0	33H5U00	1 3	4 0

I N D E X

L I S T No.	PART No.	PAGENO.	ITEM	L I S T No.	PART No.	PAGENO.	ITEM
KU 3 3 1 7 6 0	33H6U00	1 3	4 1	MT 5 1 0 6 8 1	5168T01	1 5	8
KU 3 3 1 9 0 0	33J0U00	1 3	1 5	MT 5 1 0 7 9 1	5179T01	1 5	9
KU 3 3 1 9 1 0	33J1U00	1 3	4	MT 5 1 1 2 7 0	51C7T00	2 7	2
KU 3 3 1 9 3 0	33J3U00	1 3	1 2	WW 3 1 0 3 0 0	3130W00	1 7	1 2
KU 4 6 0 2 7 0	4627U00	2 3	1 7	WW 3 1 0 3 1 0	3131W00	1 7	1 4
KU 4 6 0 2 7 0	4627U00	2 5	2 4				
KU 4 6 0 3 2 1	4632U01	2 5	2 2				
KU 4 6 0 3 4 2	4634U02	2 3	1				
KU 4 6 0 3 6 0	4636U00	2 5	2 7				
KU 4 6 0 4 6 1	4646U01	2 3	1 8				
KU 4 6 0 5 1 1	4651U01	2 1	1				
KU 4 7 0 1 0 0	4710U00	2 5	1 3				
KU 4 7 0 1 5 1	4715U01	2 1	9				
KU 4 7 0 4 6 0	4746U00	2 5	1 7				
KU 4 8 0 1 3 0	4813U00	2 5	1 6				
KU 4 8 1 0 5 0	48A5U00	2 1	4				
KU 4 8 3 1 8 0	48V8U00	2 5	4				
KU 4 8 3 4 4 0	48Y4U00	2 3	9				
KU 4 9 0 1 8 0	4918U00	2 5	1 0				
KU 4 9 0 7 0 0	4970U00	2 1	1 3				
KU 5 1 0 4 2 0	5142U00	9	1 8				
KU 5 1 1 2 1 1	51C1U01	2 7	3				
KU51076102520	5176C	1 5	1				
KU51087102520	5187N00	1 5	1				
MA 1 4 0 3 8 0	1438A	3	3				
MA 1 4 0 5 3 0	1453A	3	1 7				
MA 1 4 0 5 7 0	1457A	3	1 6				
MA 1 4 0 5 8 0	1458A	3	1 8				
MA 1 4 0 6 9 0	1469A	3	4				
MA 1 4 0 7 4 0	1474A	3	7				
MA 1 4 0 7 5 0	1475A	3	1 1				
MA 1 4 0 7 6 0	1476A	3	1 0				
MA 1 4 0 7 8 0	1478A	3	8				
MA 1 4 0 9 6 0	1496A00	3	1 2				
MA 2 2 0 5 1 0	2251A	5	4 5				
MA 2 5 0 1 3 1	2513A01	5	4 3				
MT 3 1 0 1 3 0	3113T00	1 9	8				
MT 3 1 4 4 1 0	31DDT00	1 9	1 0				
MT 3 1 4 4 2 0	31DET00	1 9	9				
MT 4 6 0 2 4 0	4624T00	2 3	1 8				
MT 4 6 0 2 4 0	4624T00	2 5	2 5				
MT 4 7 0 1 1 0	4711T00	2 1	1 0				
MT 4 8 3 3 6 0	48X6T00	2 1	1 7				
MT 5 1 0 2 1 0	5121T00	1 9	1 2				
MT 5 1 0 6 7 1	5167T01	1 5	1 0				